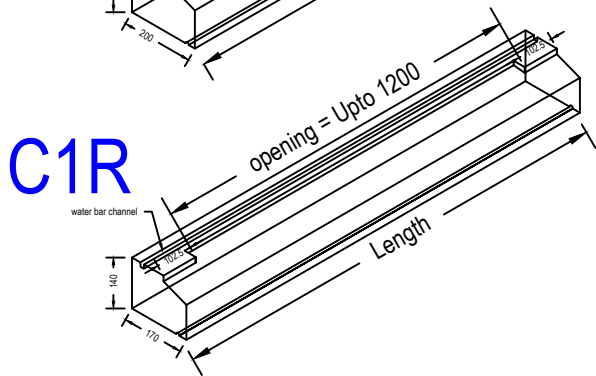
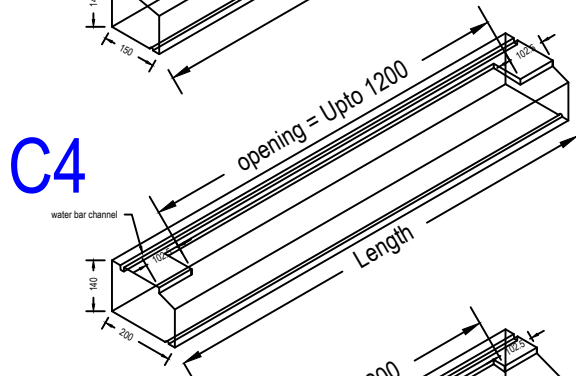
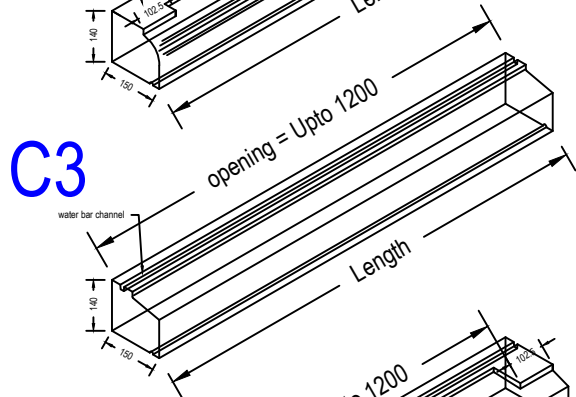
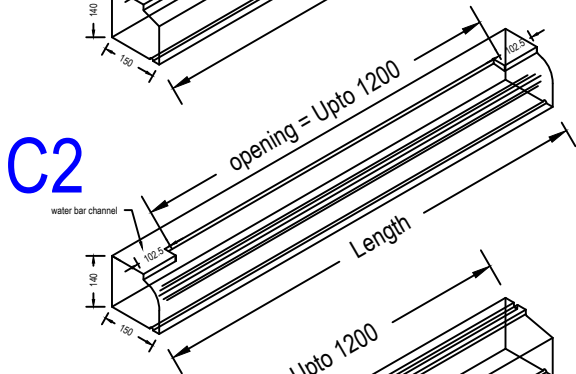
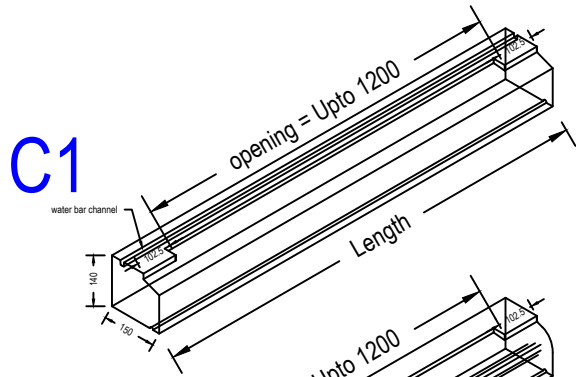


WINDOW CILLS



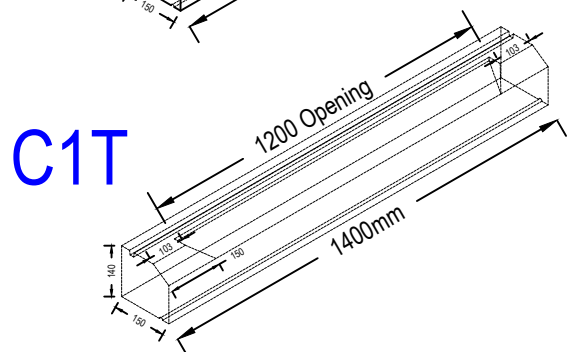
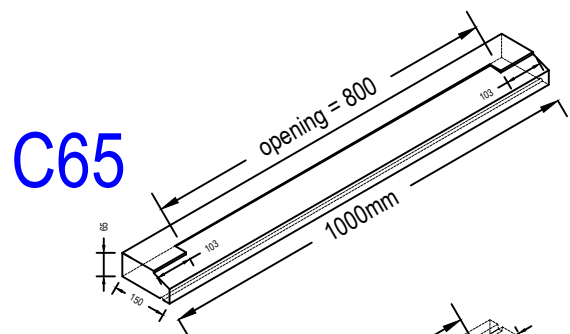
The maximum length for Cills in one-piece is 1400mm, Cills over this will be manufactured in 2 or more pieces.

Window Cills are non-structural and any reinforcement used is purely for handling purposes only.

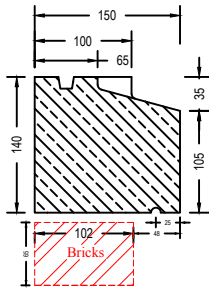
C2 Bullnosed Cills are manufactured to suit the following window openings:
488mm, 630mm, 900mm, 915mm, 1200mm
A mould cost will be charged for other sizes.

Installation.

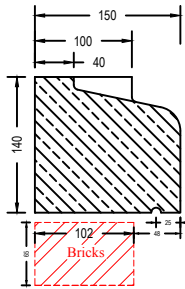
One-piece stooped Cills should be bedded under each end only, with the joint below left open, this should be pointed up after the brickwork is finished.



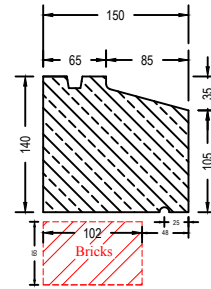
WINDOW CILL SECTIONS



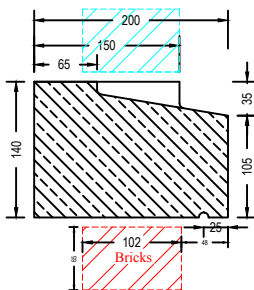
Cill Section
Type C1



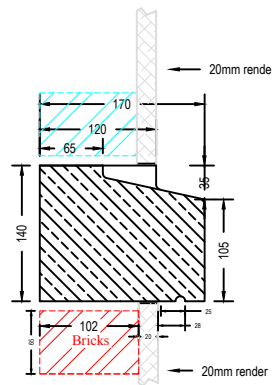
Cill Section
Type C2



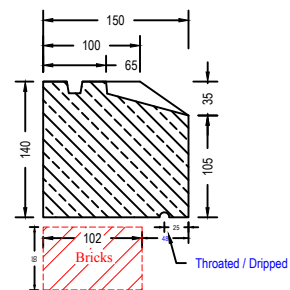
Cill Slip Section
Type C3



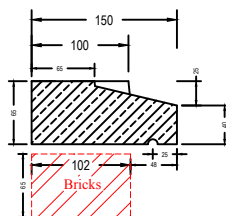
Cill Section
Type C4



Cill Section
With Render walls
Type C1R



Cill Section
Type C1TRAD



Cill Section
Type C65