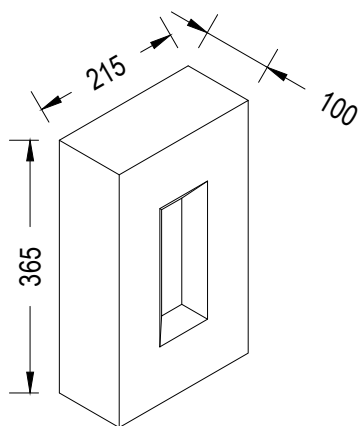
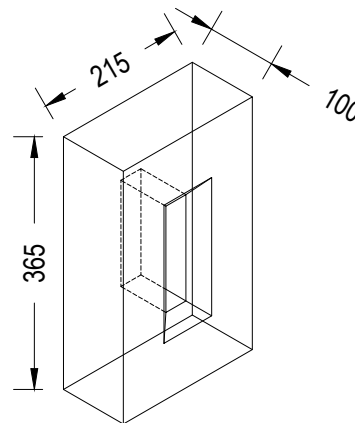


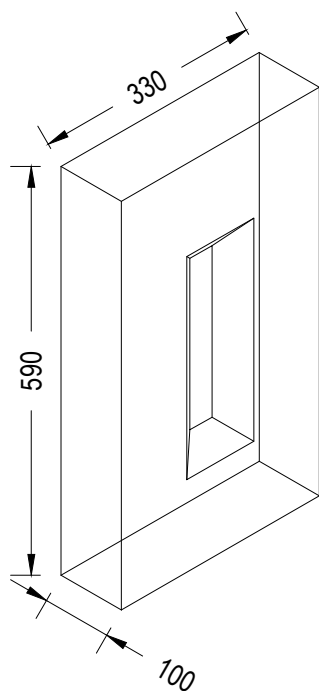
GABLE VENTS



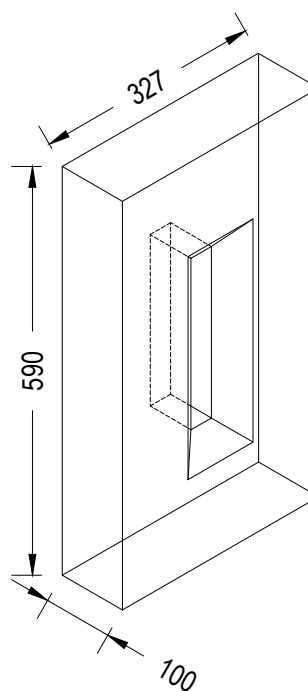
GV1-(Solid)



GV1-Open



GV2-(Solid)



GV2-Open